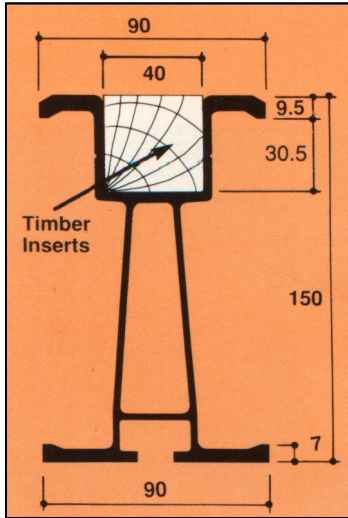


# ALFORM BEAM FORMWORK

# WILLIAMSON CONSTRUCTION EQUIPMENT LIMITED

WEBSITE: [www.wcelimited.co.uk](http://www.wcelimited.co.uk)

E-MAIL: [hireandsales@wcelimited.co.uk](mailto:hireandsales@wcelimited.co.uk)



## INTRODUCTION

ALFORM Aluminium Beam Formwork is a strong, light and cost effective alternative to Steel Panel or Timber Formwork. Plywood is easily attached to the ALFORM beam by nail or screw connection to the timber insert within the beam, and the bevelled edge of the beam allows for subsequent stripping.

The ALFORM Beam has **double the bending and shear resistance of a 200mm fabricated timber I-Beam**. This allows the ALFORM beam to span further and **support greater loads** than timber equivalents, **saving time and money** in both the beams and the supporting equipment. Unlike timber, the properties of aluminium are consistent giving a structural assurance that timber beams lack - even more so when the timber is to be re-used again & again.

Substantially **lighter** than it's equivalent steel section, the ALFORM beam is **easier to handle** on site, therefore **saving time and labour costs**.

(Unit Weight: 4.39 kg/m without timber insert, 5.39 kg/m with timber insert.)

Using the ALFORM Aluminium Beam Formwork system, a **high quality, fair face finish** (F3 & F4) is possible.

## APPLICATIONS

The ALFORM beam can be used as primary waling for wall formwork, or as primary or secondary bearers in slab formwork applications. A free, no obligation design service (including detailed drawings) is available from our design office for both wall and slab formwork schemes. (Full sets of calculations can also be supplied if required.)

## WALL FORMWORK APPLICATIONS

ALFORM beams are utilised along with the Superslim Soldier System and a plywood face material to form both large and small formwork shutters that give high quality finishes.

A range of accessories for use with the ALFORM beams are available to form details such as internal and external corners, stop ends and to connect ALFORM beams together to construct longer shutters.

## SLAB FORMWORK APPLICATIONS

Slab Formwork typically uses ALFORM beams as primary or secondary bearers in conjunction with Kwikstage Shoring Scaffold and either smaller ALSEC (secondary) or larger ALBEAM (primary) aluminium beams. Handrail attachments are available for slab applications, and the Superslim Soldier System can be utilised in the construction of slab edges.



Sunderland Metro Extension - Mill Lane, Hebburn

For full details of the ALFORM Aluminium Beam and MATAB Panel Formwork systems, and quotations/advice on Formwork projects large and small, contact:

## NEWCASTLE DEPOT (HEAD OFFICE)

UNIT 16, WESLEY DRIVE  
BENTON SQUARE INDUSTRIAL ESTATE  
NEWCASTLE UPON TYNE  
NE12 9UP

TEL: 0191 - 215 0222  
FAX: 0191 - 266 4859

## CARLISLE DEPOT

ST NINIAN'S ROAD  
UPPERBY  
CARLISLE  
CA2 4NE

TEL: 01228 - 514 814  
FAX: 01228 - 599 815